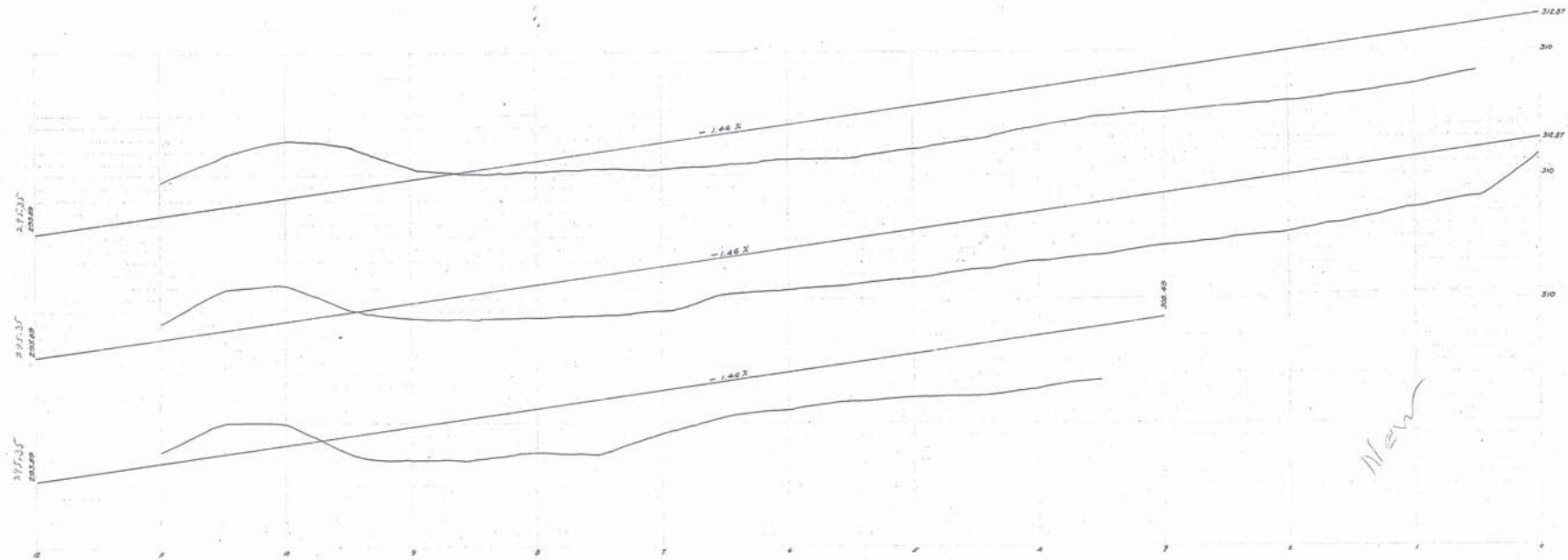
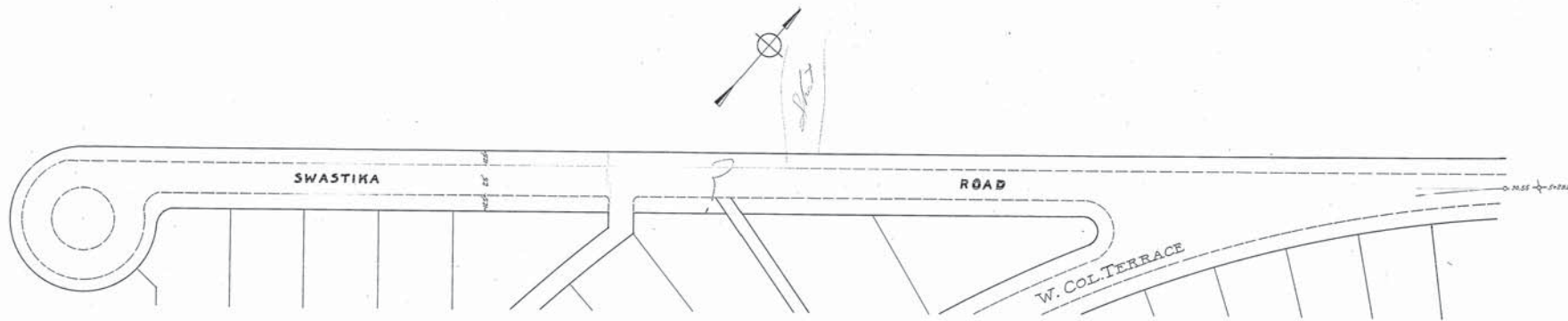


EMORY C. CEVUM
CITY ENGINEER
FREDERICK, MARYLAND

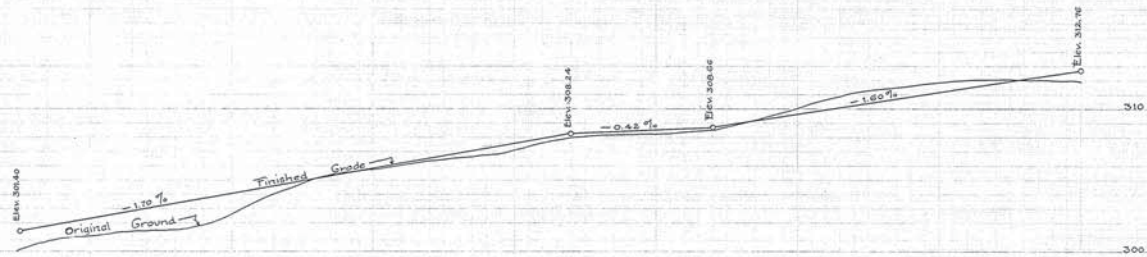
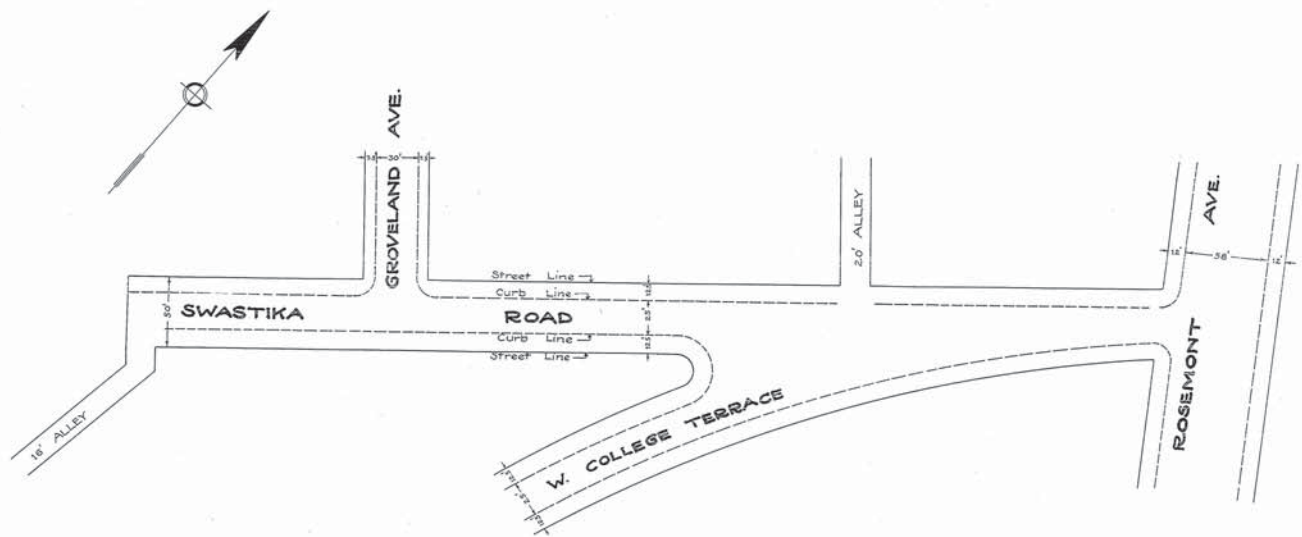


Adopted by The Mayor and Aldermen of Frederick
by ordinance passed and approved June 3, 1921.

Attest:
John A. White
City Registrar

The Mayor and Aldermen of Frederick
By *William Schley*
Mayor

FREDERICK CITY
PLAN & PROFILE OF SWASTIKA ROAD
SHOWING ESTABLISHED GRADE & STREET LINES
Scales: 1" = 40' Vert. 1" = 100' Hor. Frederick, Md. Feb. 25, 1914.



Adopted by The Mayor and Aldermen of Frederick
by ordinance passed and approved

Attest:-

Lucas C. Gresham
City Register.

The Mayor and Aldermen of Frederick

By *Hugh G. Buller*

Mayor

FREDERICK CITY
PLAN & PROFILE OF SWASTIKA ROAD

SHOWING ESTABLISHED GRADE & STREET LINES

Scales: 1" = 40' Vert.
1" = 40' Hor.

Elmer St. C. Maxwell
City Engineer.

March 10, 1939.

8 7 6 5 4 3 2 1 0